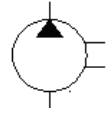


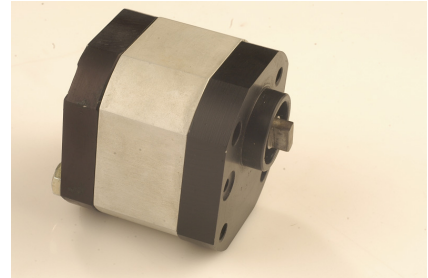
PG00-Series Gear Pumps

Pressures upto 3500 PSI
Flows upto 3 GPM
Speeds upto 4500 RPM

Graphical Symbol



- High strength aluminum extruded body.
- Hardened and ground integral gear shaft.
- Special aluminum alloy bush bearing.
- Axially balanced for high volumetric efficiencies of 95%.
- Pumps suitable for manifold mounting and tang drive



Rating

Model Number	Geometric Displacement		Flow Rate rev/min		Maximum Pressure				Shaft Speed range rpm		Weight Kg
					Continuous		Intermittent				
	cm ³ /rev	In ³ /rev	LPM@ 1500	GPM@ 1750	Bar	PSI	Bar	PSI	Max	Min	
PG00-066	0.66	0.040	1	0.30	180	2600	220	3200	4500	1000	0.75 (Approx)
PG00-100	1.0	0.060	1.5	0.50	207	3000	240	3500	4500	1000	
PG00-160	1.6	0.097	2.4	0.75	207	3000	240	3500	4000	800	
PG00-210	2.1	0.130	3.2	1.00	207	3000	240	3500	4000	800	
PG00-320	3.2	0.195	4.8	1.50	207	3000	240	3500	3500	600	
PG00-420	4.2	0.256	6.3	2.00	180	2600	220	3200	3500	600	
PG00-530	5.3	0.315	8.0	2.50	180	2600	220	3200	3500	600	
PG00-640	6.4	0.400	9.6	3.00	165	2400	207	3000	3500	600	

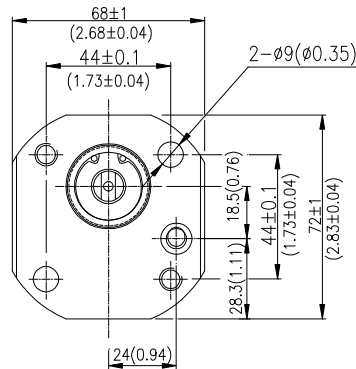
Model Number Designation

PG00	-066	-G	-5	-P	-B	-R
Series	Size	Shaft	Mounting	Port	Drive Shaft Seal	Direction of Rotation Viewed From Shaft Side
PG00	066	G: Tang	5: With Ø30.5 Spigot Mounting	P: BSPF Port	B: Single Nitrile V: Single Viton	R: Clockwise L: Counter Clock Wise
	100					
	160					
	210					
	320					
	420					
	530					
640						

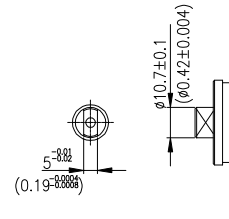
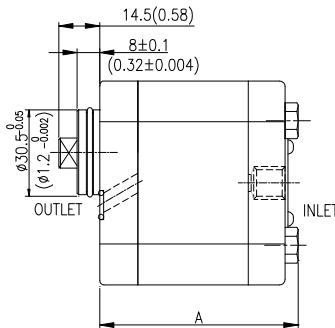
Example: - PG00-066-G-5-P-B-R

066: 0.66cc/rev, G: Tang shaft, 5:With a Ø30.5 Spigot Mounting, P: BSPF Port, B: Single Nitrile R: Clockwise

General Arrangement



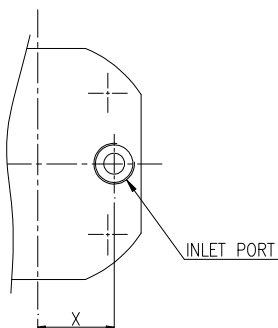
Shaft



ALL DIMENSIONS ARE IN MM (INCHES)

PUMP DETAILS SHOWN FOR CLOCKWISE ROTATION VIEWED FROM SHAFT SIDE

Ports



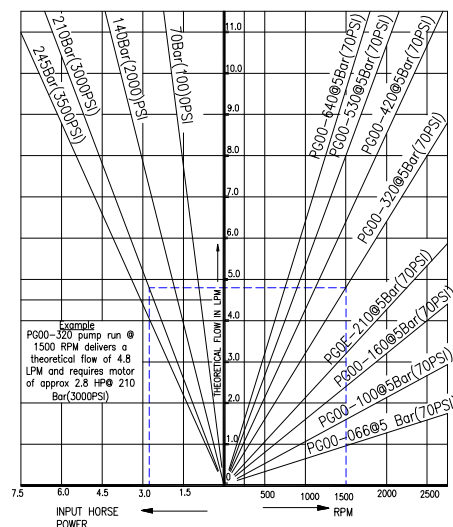
Model	Inlet*	A	X
PG00-066	1/4" BSP	72.6(2.86)	22(0.87)
PG00-100	3/8" BSP	77.5(3.10)	21(0.83)
PG00-160	3/8" BSP	80.0(3.14)	
PG00-210	3/8" BSP	82.3(3.20)	
PG00-320	3/8" BSP	87.2(3.40)	
PG00-420	1/2" BSP	92.0(3.62)	
PG00-530	1/2" BSP	97.0(3.90)	
PG00-640	1/2" BSP	101.6(4.00)	

*For other port options Consult Factory

Seals

Nitrile (Temp.range: -15°C(60°F)+ 80°C(175°F), Viton (Temp.range: -10°C(50°F)+ 140°C(285°F))

Performance Chart



Manufactured By:
Yuken India Limited
 #16, Whitefield Road,
 Whitefield, Bangalore-560 066.India
 Tel: +91-80-28452262/479
 Fax: +91-80-28452261. E-mail: enquiry@yuken.India.com

Distributed in US by:
Neelan Controls, Inc
 1035 Hudson Court.
 Bartlett, IL-60103
 Tel: 630-736-0030
 Fax: 630-736-0330

PG00-Series Gear Pumps