

CORETECH

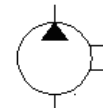
PG1E GEAR PUMP

B₁

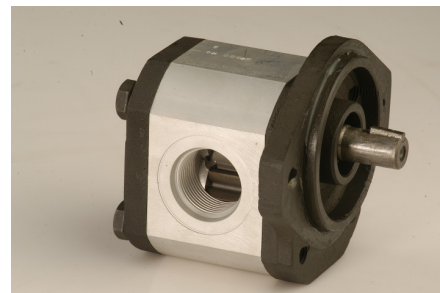
PG1E-Series Gear Pumps

Pressures upto **3500 PSI**
Flows upto **6 GPM**
Speeds upto **4500 RPM**

Graphical Symbol



- High strength aluminum extruded body.
- Hardened and ground integral gear shaft.
- Special aluminum alloy bush bearing.
- Axially balanced for high volumetric efficiencies of 95%.



Rating

Model Number	Geometric Displacement		Flow Rate At 1750rev/min	Maximum Pressure				Shaft Speed Range rpm		Weight (Approx) Kg (Lb)
				Continuous		Intermittent				
	cm ³ /rev	In ³ /rev	GPM	Bar	PSI	Bar	PSI	Max	Min	
PG1E-066	6.6	0.40	3.10	207	3000	225	3300	3500	600	3.6(7.9)
PG1E-084	8.4	0.51	3.90	207	3000	225	3300	3500	600	3.7(8.2)
PG1E-093	9.3	0.57	4.30	207	3000	225	3300	3500	600	3.7(8.2)
PG1E-109	10.9	0.67	5.00	207	3000	225	3300	3000	500	3.8(8.4)
PG1E-120	12.0	0.73	5.60	207	3000	225	3300	3000	500	3.8(8.4)
PG1E-133	13.3	0.81	6.20	190	2800	215	3100	3000	500	3.9(8.6)
PG1E-166	16.6	1.01	7.70	180	2600	207	3000	3000	500	4.0(8.8)
PG1E-186	18.6	1.35	8.60	180	2600	207	3000	3000	500	4.1(9.0)
PG1E-226	22.6	1.37	10.50	170	2500	195	2850	2500	500	4.3(9.5)
PG1E-267	26.7	1.63	12.40	170	2500	195	2850	2500	500	4.5(9.9)

Model Number Designation

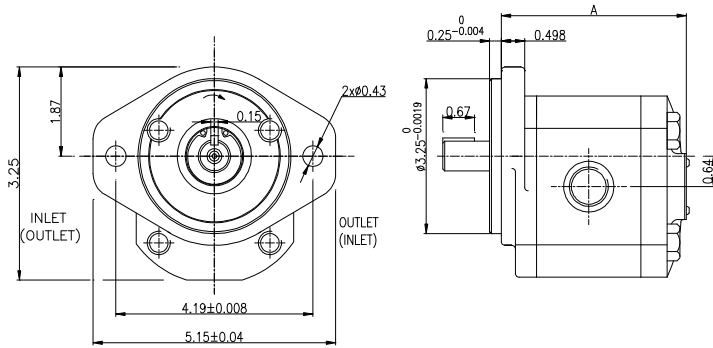
PG1E	-066	-S	-1	-S	-B	-R
Series	Size	Shaft	Mounting	Port	Drive Shaft Seal	Direction of Rotation Viewed From Shaft Side
PG1E	066	S: Straight P: Spline* G: Tang*	1: SAE 'A' 2 Bolt	S: SAE 'O' Ring Port.	B: Single Nitrile V: Single Viton	R: Clockwise L: Counter Clock Wise
	084					
	093					
	109					
	120					
	133					
	166					
	186					
	226					
267						

Example- PG1E-066-S-I-S-B-R

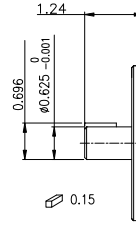
066: 6.6cc/rev, S: Straight shaft, 1: SAE 'A' 2-bolt flange, S: SAE 'O' Ring port, B: Single Nitrile, R: Clockwise

*For Spline & Tang Shaft Consult Factory

General Arrangement



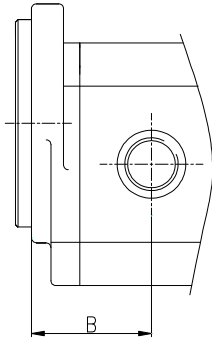
Shaft



ALL DIMENSIONS ARE IN INCHES

PUMP DETAILS SHOWN FOR CLOCKWISE ROTATION VIEWED FROM SHAFT SIDE

Ports

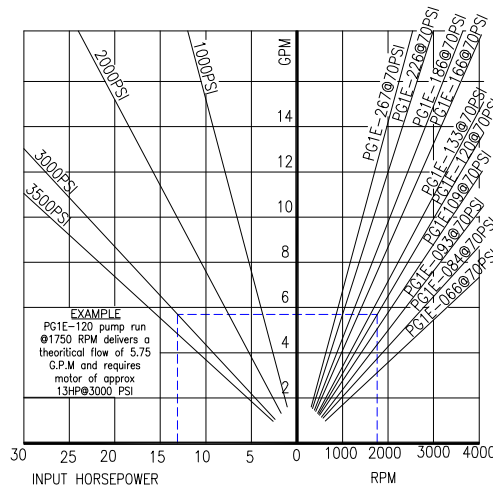


Model No	Inlet	Outlet	A	B
PG1E-066	1 1/16-12 UN	7/8-14 UNF	3.48	1.70
PG1E-084	1 1/16-12 UN	7/8-14 UNF	3.59	1.79
PG1E-093	1 1/16-12 UN	7/8-14 UNF	3.63	1.86
PG1E-109	1 1/16-12 UN	7/8-14 UNF	3.73	1.94
PG1E-120	1 1/16-12 UN	7/8-14 UNF	3.80	2.02
PG1E-133	1 5/16-12 UN	1 1/16-12 UN	3.88	2.10
PG1E-166	1 5/16-12 UN	1 1/16-12 UN	4.07	2.23
PG1E-186	1 5/16-12 UN	1 1/16-12 UN	4.20	2.33
PG1E-226	1 5/16-12 UN	1 1/16-12 UN	4.43	2.49
PG1E-267	1 5/16-12 UN	1 1/16-12 UN	4.70	2.65

Seals

Nitrile (Temp.range: -60° F+175° F), Viton (Temp.range: -50°F+285° F).

Performance Chart



Manufactured By:

Yuken India Limited

#16, Whitefield Road,
Whitefield, Bangalore-560 066.India

Tel: +91-80-28452262/479

Fax: +91-80-28452261. E-mail: enquiry@yuken.India.com

Distributed in US by:

Neelan Controls, Inc

1035 Hudson Court.
Bartlett, IL-60103

Tel: 630-736-0030

Fax: 630-736-0330