

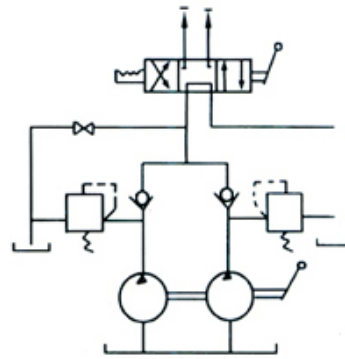


VRK series Super-High Pressure Radial Piston Pump

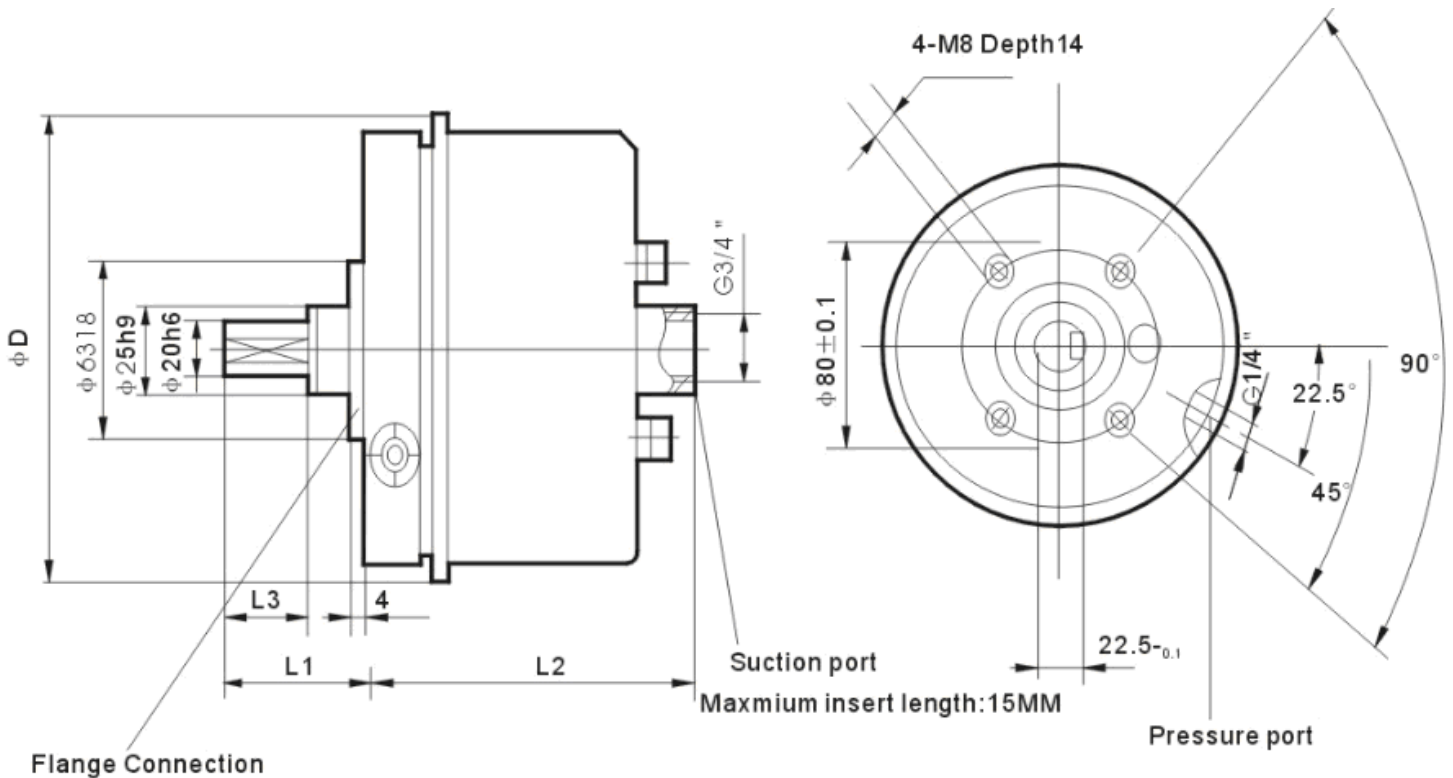
www.hydpump.com



Hydraulic circuit diagram:



<p>Features:</p> <ul style="list-style-type: none"> • High volumetric efficiency • Self-priming and venting • Low pulsation • Low noise level • Specially suitable for demanding applications with continuous pressures rated up to 850 bar. • Combination with low pressure gear pumps possible 	<p>Technical data:</p> <p>Hydraulic fluid..... mineral oil according to DIN 51524</p> <p>Ambient temperature range..... -30°C to 50°C</p> <p>Viscosity range..... 5 to 220 mm²/s(optimal: 15-30)</p> <p>Suction pressure..... -0.2 to 0.5 bar relative</p> <p>Filtration..... according to NAS 1638 class or ISO/DIN 4406 16/14</p> <p>Installation position.....any</p> <p>Weight.....size 01: 13 KG, and size 02: 20 KG</p>
--	--



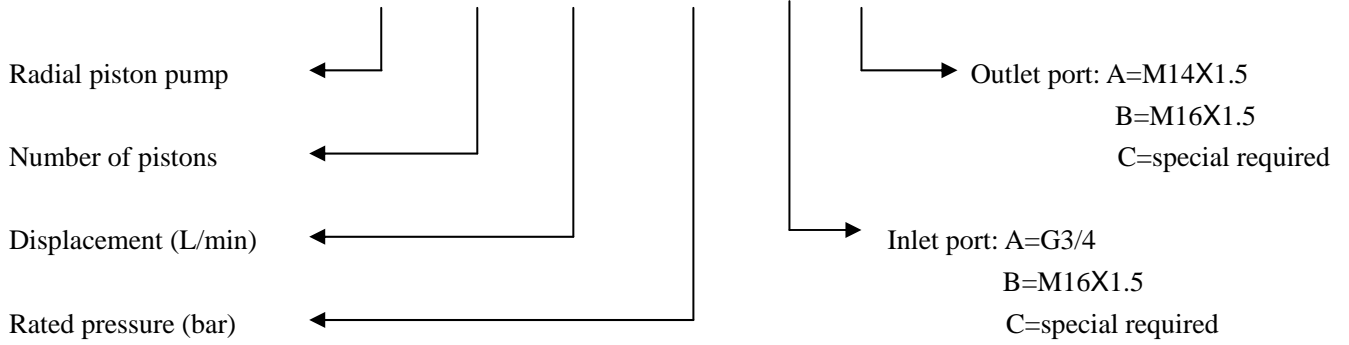
Dimension:

Type	O.D	L1	L2	L3	Standard: GB1096-79
Size 01 pump	184	32	112	23	6X6X18 (B6X18)
Size 02 pump	185	54	139	34	6X6X28 (B6X28)



Ordering code:

VRK-	8-	5.161-	630-	A	A
------	----	--------	------	---	---



Specifications

Rated pressure		850 (bar)	630 (bar)	500 (bar)	320 (bar)	225 (bar)
Piston diameter		6.5 (mm)	8.5 (mm)	10 (mm)	13 (mm)	15 (mm)
Rated speed		1500 (rpm)				
Type	Number of pistons	Displacement (L/min)				
Size 01 pump	1	0.372 (L/min)	0.643 (L/min)	0.8910 (L/min)	1.512 (L/min)	2.11 (L/min)
	2	0.752	1.290	1.791	3.021	4.21
	3	1.131	1.931	2.680	4.542	6.00
	4	1.512	2.580	3.581	6.050	8.20
	5	1.893	3.222	4.473	7.562	10.10
	6	2.261	3.872	5.372	9.071	12.20
	7	2.642	4.511	6.261	10.591	14.12
Size 02 pump	8	3.022	5.161	7.160	12.12	16.11
	10	3.781	6.460	8.952	15.130	20.12
	12	4.532	7.751	10.741	18.152	24.13
	14	5.293	9.042	12.530	21.181	28.10